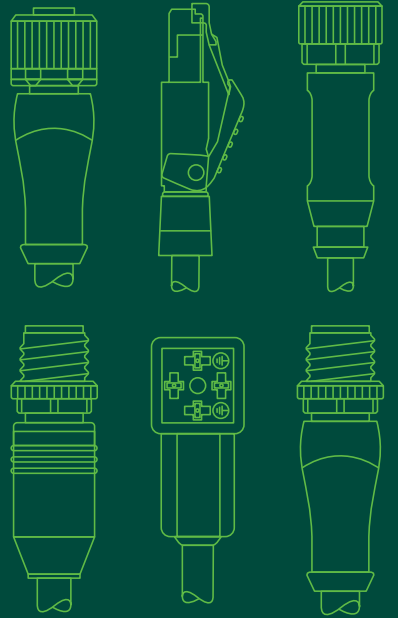


ESSENTIALS

**CONNECTIVITY
ESSENTIALS**
BY MURRELEKTRONIK



**MURR
ELEKTRONIK**
stay connected

Immediately available and powerful

CONNECTIVITY ESSENTIALS

With Connectivity Essentials, Murrelektronik offers a new, wide ranging connector installation program. The M8, M12, valve and RJ45 connectors for the data, signal and power range are immediately available and form the backbone of all machine/plant cabling.

OUR QUALITY PROMISE

- 100 % tested
- 100 % compliant with international IEC standards
- Vibration protection prevents even under the strongest shock and vibration influence loosening of the screw connection and guarantees a permanently tight connection
- Gold-plated contacts guarantee low contact resistance and high mating cycles
- Full PUR overmold or potting for the highest oil resistance and best cable strain relief

PRODUCT RANGE

Add the cable length to the **yyyy**. See below.*

7 0 0 0 – **0 8 0 0 1** – **6 3 0** **0 1 5 0**
 Design Cable type Cable length (in cm) *Example



Scan here for more information about our Connectivity Essentials



SIGNAL



M8 connector – single ended

Side 1	Side 2	Material	Art.-No.	Cable lengths (yyyy)
M8 male 0°	–	PUR 3x0.25 black UL/CSA + drag chain	7000-08001-630yyyy	1 m = 0100, 1.5 m = 0150, 2 m = 0200, 3 m = 0300, 5 m = 0500, 10 m = 1000
M8 female 0°	–	PUR 3x0.25 black UL/CSA + drag chain	7000-08041-630yyyy	
M8 female 90°	–	PUR 3x0.25 black UL/CSA + drag chain	7000-08081-630yyyy	
M8 female 90° LED	–	PUR 3x0.25 black UL/CSA + drag chain	7000-08121-630yyyy	
M8 male 0°	–	PUR 4x0.25 black UL/CSA + drag chain	7000-08011-631yyyy	
M8 female 0°	–	PUR 4x0.25 black UL/CSA + drag chain	7000-08061-631yyyy	
M8 female 90°	–	PUR 4x0.25 black UL/CSA + drag chain	7000-08101-631yyyy	

M8 connectors – double ended

Side 1	Side 2	Material	Art.-No.	Cable lengths (yyyy)
M8 male 0°	M8 female 0°	PUR 3x0.25 black UL/CSA + drag chain	7000-88001-630yyyy	1 m = 0100, 1.5 m = 0150, 2 m = 0200, 3 m = 0300, 5 m = 0500, 10 m = 1000
M8 male 0°	M8 female 90°	PUR 3x0.25 black UL/CSA + drag chain	7000-88021-630yyyy	
M8 male 0°	M8 female 90° LED	PUR 3x0.25 black UL/CSA + drag chain	7000-88041-630yyyy	
M8 male 0°	M8 female 0°	PUR 4x0.25 black UL/CSA + drag chain	7000-88011-631yyyy	



M12 connector – single ended

Side 1	Side 2	Material	Art.-No.	Cable lengths (yyyy)
M12 male 0°	–	PUR 4x0.34 black UL/CSA + drag chain	7000-12021-634yyyy	1 m = 0100, 1.5 m = 0150, 2 m = 0200, 3 m = 0300, 5 m = 0500, 10 m = 1000
M12 female 0°	–	PUR 4x0.34 black UL/CSA + drag chain	7000-12221-634yyyy	
M12 female 90°	–	PUR 4x0.34 black UL/CSA + drag chain	7000-12341-634yyyy	
M12 female 90° LED	–	PUR 4x0.34 black UL/CSA + drag chain	7000-12421-634yyyy	
M12 male 0°	–	PUR 5x0.34 black UL/CSA + drag chain	7000-12041-635yyyy	
M12 female 0°	–	PUR 5x0.34 black UL/CSA + drag chain	7000-12241-635yyyy	
M12 female 90°	–	PUR 5x0.34 black UL/CSA + drag chain	7000-12361-635yyyy	

M12 connectors – double ended

Side 1	Side 2	Material	Art.-No.	Cable lengths (yyyy)
M12 male 0°	M12 female 0°	PUR 4x0.34 black UL/CSA + drag chain	7000-40021-634yyyy	1 m = 0100, 1.5 m = 0150, 2 m = 0200, 3 m = 0300, 5 m = 0500, 10 m = 1000
M12 male 0°	M12 female 90°	PUR 4x0.34 black UL/CSA + drag chain	7000-40121-634yyyy	
M12 male 0°	M12 female 90° LED	PUR 4x0.34 black UL/CSA + drag chain	7000-40341-634yyyy	
M12 male 0°	M12 female 0°	PUR 5x0.34 black UL/CSA + drag chain	7000-40041-635yyyy	



MSUD – single ended

Side 1	Side 2	Material	Art.-No.	Cable lengths (yyyy)
MSUD Valve plug A 18 mm	–	PUR 3x0,75 black UL/CSA + drag chain	7000-18021-636yyyy	1 m = 0100, 1.5 m = 0150, 2 m = 0200, 3 m = 0300, 5 m = 0500, 10 m = 1000
MSUD Valve plug C 8 mm	–	PUR 3x0,75 black UL/CSA + drag chain	7000-80021-636yyyy	



Selfwireable Connectors (IDC)

Description	Number of poles/ connection	Art.-No.	Cable lengths (yyyy)
M12 male 0° Insulation displacement connection	4-pol./ 0,25 – 0,5 mm ² , 4 – 5,1 mm	7000-12481-0000000	
M12 female 0° Insulation displacement connection	4-pol./ 0,25 – 0,5 mm ² , 4 – 5,1 mm	7000-12601-0000000	



T-Coupler SlimLine

Side 1	Side 2	Number of poles	Art.-No.	Cable lengths (yyyy)
M12 male	2x M12 female	5-pol. / 2x 4 pole	7000-41131-0000000	

DATA



M12 connector – single ended

Side 1	Side 2	Material	Art.-No.	Cable lengths (yyyy)
M12 male 0° D-cod.	–	PUR 1x4xAWG22 shielded green UL/CSA + drag chain	7000-14541-796yyyy	1 m = 0100, 1,5 m = 0150, 2 m = 0200, 3 m = 0300, 5 m = 0500, 10 m =1000

M12 and RJ45 connectors – double ended

Side 1	Side 2	Material	Art.-No.	Cable lengths (yyyy)
M12 male 0° D-cod.	M12 male 0° D-cod.	PUR 1x4xAWG22 shielded green UL/CSA + drag chain	7000-44511-796yyyy	1 m = 0100, 1,5 m = 0150, 2 m = 0200, 3 m = 0300, 5 m = 0500, 10 m =1000
M12 male 0° D-cod.	RJ45 male 0°	PUR 1x4xAWG22 shielded green UL/CSA + drag chain	7000-44711-796yyyy	
RJ45 male 0°	RJ45 male 0°	PUR 1x4xAWG22 shielded green UL/CSA + drag chain	7000-74301-796yyyy	

POWER



M12 connector – single ended

Side 1	Side 2	Material	Art.-No.	Cable lengths (yyyy)
M12 Power female 0° L-cod.	–	PUR 4x1.5 black UL/CSA + drag chain	7000-P4121-P07yyyy	1 m = 0100, 1,5 m = 0150, 2 m = 0200, 3 m = 0300, 5 m = 0500, 10 m =1000
		PUR 4x2.5 black UL/CSA + drag chain	7000-P4121-P37yyyy	
		PUR 5x1.5 black UL/CSA + drag chain	7000-P4221-P04yyyy	
		PUR 5x2.5 black UL/CSA + drag chain	7000-P4221-P34yyyy	

M12 connectors – double ended

Side 1	Side 2	Material	Art.-No.	Cable lengths (yyyy)
M12 Power male 0° L-cod.	M12 Power female 0° L-cod.	PUR 4x1.5 black UL/CSA + drag chain	7000-P4141-P07yyyy	1 m = 0100, 1,5 m = 0150, 2 m = 0200, 3 m = 0300, 5 m = 0500, 10 m =1000
		PUR 4x2.5 black UL/CSA + drag chain	7000-P4141-P37yyyy	
		PUR 5x1.5 black UL/CSA + drag chain	7000-P4241-P04yyyy	
		PUR 5x2.5 black UL/CSA + drag chain	7000-P4241-P34yyyy	

SIGNAL

A-coded M8

- 3 or 4-pole, male or female
- With or without LED

A-coded M12

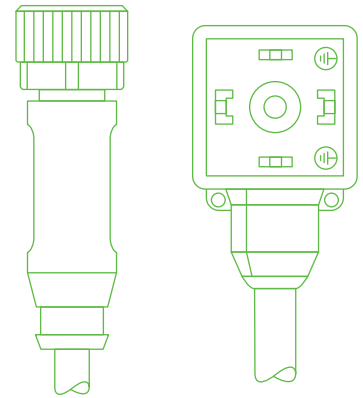
- 4 or 5-pole, male or female
- With or without LED
- Selfwireable Connectors (IDC)
- T-Coupler

Valve Plug

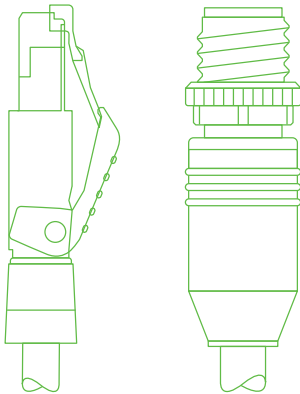
- Type A (18 mm) / Type C (8 mm)
- With LED and suppression

PUR Cable Properties

- Black jacket
- Halogen-free
- Suitable for drag chains:
5 million bending cycles
- UL Approval



DATA



D-coded M12

- 4-pole male
- Cat.5e (100 Mbit/s)
transmission speed

RJ45 Connector

- 4-pole male
- Cat.5e (100 Mbit/s)
transmission speed

PUR Cable Properties

- Green jacket
- Halogen-free
- PROFINET type C
- Suitable for drag chains:
3 million bending cycles
- 22 AWG (0.34 mm²)
- UL Approval

POWER

L-coded M12

- Male or female
- 4-pole (without FE) or
5-pole (with FE)
- 16 A / 63V DC

PUR Cable Properties

- Black jacket
- Halogen-free
- Suitable for drag chains:
5 million bending cycles
- 1.5 mm² and 2.5 mm²
wire cross section
- UL Approval

